

# ABLOY® HIGH SECURITY CAM LOCKS



Operation of the high security ABLOY® cam locks is based on the unique ABLOY® detainer disc mechanism. The wide range and superior features provide wide variety of options in several applications. The ABLOY® high security cam locks offer optimum resistance against physical attack and picking.

## CONTENTS

Cam Locks .....	3
Cam Locks - Universal Specification Brass 3281, 3273, 3274, 3275, 3276, 3277, 3278.....	4-5
Case-Hardened Steel 3243 .....	5
Cam Locks - US Specification Brass 3373, 3375, 3377.....	6-7
Case-Hardened Steel 3343.....	7
Key-operated Switch Locks EP400, EP401, EP402 .....	8
T-Handle Locks CL290, CL291 .....	8
Cams for Universal Cam Locks ...	9
Fitting Plates .....	9
Custom-made Applications .....	10
Quality Control and Testing .....	10
Deliveries .....	11

# ABLOY® CAM LOCKS

**ABLOY® cam locks include a wide range of applications especially for metal equipment and wooden cabinet doors and furniture. ABLOY® cam locks provide protection for parking meters, cash dispensers, vending machines, music and gambling machines, slot machines, cash and safety boxes, lockers, coin-operated laundry machines and pay phones, to mention but a few. If our standard range does not include a suitable product to your needs, we are ready to make it for you.**

**There are several reasons for ABLOY® cam locks being the best solution for your high security needs.**

## 1. FUNCTION

There are no springs or pins in the ABLOY® detainer disc mechanism, which in other mechanisms can cause malfunction through wear, dirt, moisture, corrosion or freezing.

The ABLOY key is made of nickel silver and does not wear the inner parts of the cylinder.

## 2. PICK RESISTANCE

ABLOY® detainer disc cylinder is well-known for its resistance to picking. The unique operating principle makes it virtually pickproof.

## 3. PHYSICAL STRENGTH

ABLOY® cam locks are designed and manufactured to provide optimum resistance to physical attack. The cylinder housing can be either brass or case-hardened steel.

## 4. DRILL PROTECTION

For maximum security against drilling the cylinder housing and first disc of certain ABLOY® cam lock models are of case-hardened steel.

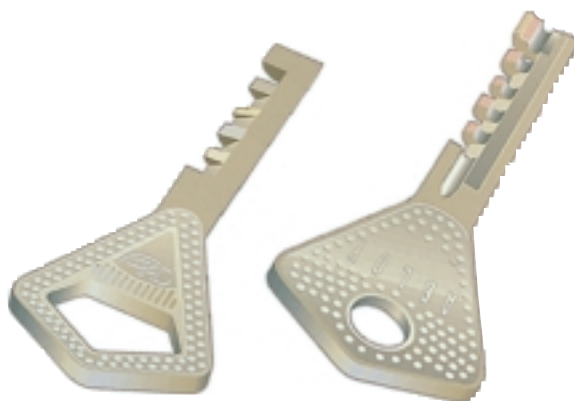
## 5. MASTER KEYING

ABLOY® locks can be keyed differently, keyed alike, master-keyed or grand master-keyed. ABLOY® detainer

disc cylinder is well-known as the system offering the widest master-keying possibilities.

## 6. KEY SECURITY

Key security is as important factor as physical security. ABLOY® key security enhances the physical protection of ABLOY® locks. ABLOY® offers a versatile choice of cylinder types combined with a wide selection of key security levels. Cylinders can be provided either with traditional ABLOY® CLASSIC key or with ABLOY® PROFILE key. For projects demanding special locking security, the ABLOY® system offers restricted ABLOY® key profiles with factory controlled manufacturing of additional keys. Exclusive key profiles for the customer can also be provided.



ABLOY® CLASSIC KEY

ABLOY® PROFILE KEY

**BRASS - 3281, 3273, 3274, 3275, 3276, 3277, 3278**

**APPLICATIONS**

The most reliable security locks available for coin-operated laundry equipment, vending machines, coin boxes, slot machines, music and gambling machines, pay phones and other high security applications.

Locks can be fitted on doors from 0.5 mm to 19.5 mm in thickness depending on the lock type.

**MATERIAL AND FINISH**

Detainer discs, cylinder drum and end nut of brass. Cam, governor, nut lock washer and hex nut of zinc-plated steel. Cylinder housing of chrome-plated brass.

**CAMS**

See page 9.



**FEATURES**

LOCK TYPE			3281	3243	3273	3274	3275	3276	3277	3278
<b>DIMENSIONS:</b> mm	Overall length	A	29	33	33	33	37	37	43	43
	Max door thickness	B	5.5	9.5	9.5	9.5	13.5	13.5	19.5	19.5
	Cam distance	C	14.5	18.5	18.5	18.5	22.5	22.5	28.5	28.5
<b>CAM TURNS</b>										
90°	Key removable in locked		x	x	x		x		x	
180°	position only		x	x	x		x		x	
360°	Key removable in locked and									
	unlocked positions					x		x		x
<b>NUMBER OF DISCS</b>			7	9	9	9	11	11	11	11
<b>WEIGHT/50 PCS (kg)</b>			3.10	3.38	3.52	3.48	3.72	3.78	4.46	4.34
<b>CYLINDER TYPES</b>			See page 11							

# LOCKS - UNIVERSAL RANGE



3276

3277

3278

3243

## CASE HARDENED STEEL - 3243

### APPLICATIONS

ABLOY® cam lock 3243 is specially designed for projects demanding special locking security, for instance, when equipment with coin boxes is used outdoors, e.g. parking meters, pay phones and vending machines. For drill protection and physical strength the cylinder housing and first disc of ABLOY® 3243 are of case-hardened steel.

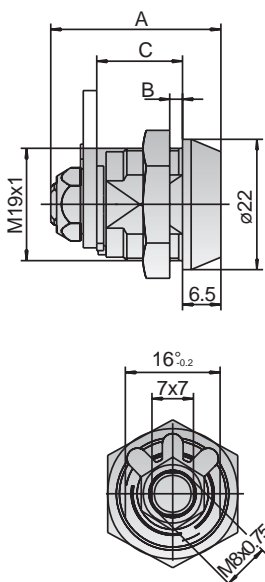
### MATERIAL AND FINISH

Detainer discs, cylinder drum and end nut of brass. Cam, governor, nut lock washer and hex nut of zinc-plated steel. Cylinder housing of case-hardened chrome-plated steel. First disc of nickel-plated case-hardened steel.

### CAMS

See page 9.

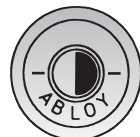
## DIMENSIONS



Brass cylinder:  
two vertical  
marks on  
cylinder face

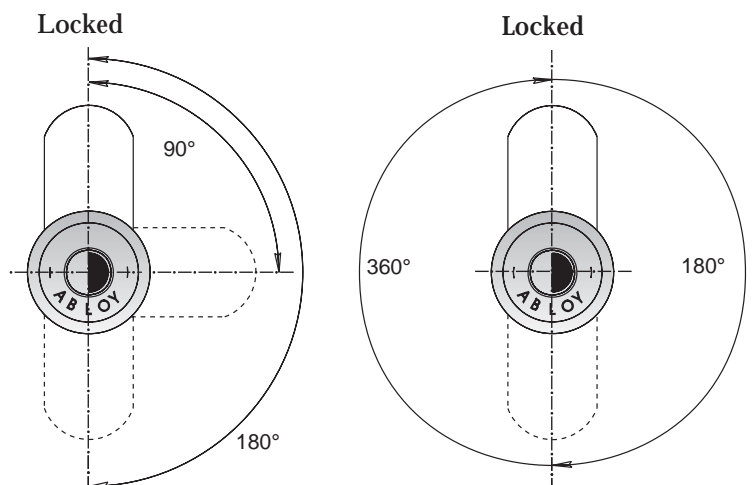


Steel cylinder:  
two horizontal  
marks on  
cylinder face



## CAM TURNS

3281, 3243	3274, 3276
3273, 3275	3278
3277	



**BRASS - 3373, 3375,  
3377,CL201**

## APPLICATIONS

The most reliable security locks available for coin-operated laundry equipment, vending machines, coin boxes, slot machines, music and gambling machines, pay phones and other high security applications. The cylinder end and threads are designed in accordance with US specifications (see dimension drawing).

CL201: Cylinder housing of case-hardened chrome-plated steel. First and last disc of case-hardened nickel-plated steel.

## MATERIAL AND FINISH

Detainer discs, cylinder drum and end nut of brass. Governor, nut lock washer and hex nut of zinc-plated steel. Cylinder housing of chrome-plated brass. First disc of nickel-plated case-hardened steel.

## CAMS

Cams for cam locks to US specification are available in the USA through our US sales office.



## FEATURES

LOCK TYPE			CL201	3343	3373	3375	3377
<b>DIMENSIONS:</b> mm (in)	Overall length	A	34.5 (1 3/8)	34.5 (1 3/8)	34.5 (1 3/8)	38.5 (1 1/2)	44.5 (1 3/4)
	Max door thickness	B	9.5 (3/8)	9.5 (3/8)	9.5 (3/8)	13.5 (1/2)	19.5 (3/4)
	Cam distance	C	18.5 (3/4)	18.5 (3/4)	18.5 (3/4)	22.5 (7/8)	28.5 (1 1/8)
<b>CAM TURNS</b> 90°, 180°	Key removable in locked position only		x	x	x	x	x
<b>NUMBER OF DISCS</b>			9	9	9	11	11
<b>WEIGHT/50 PCS (kg)</b>			3.38	3.38	3.40	3.70	4.26
<b>CYLINDER TYPES</b> See page 11							

# CKS - US RANGE



3377

3343

## CASE-HARDENED STEEL - 3343 - UL-LISTED

### APPLICATIONS

ABLOY® cam lock 3343 is specially designed for projects demanding special locking security, for instance, when equipment with coin boxes is used outdoors, e.g. parking meters, pay phones, vending machines etc. For drill protection and physical strength the cylinder housing and first and last disc of ABLOY® 3343 is of case-hardened steel. The cylinder end and threads are designed according to US specifications (see dimension drawing).

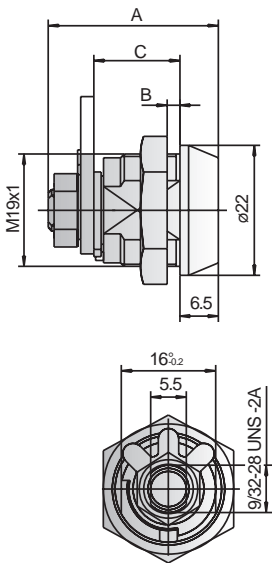
### MATERIAL AND FINISH

Detainer discs, cylinder drum and end nut of brass. Governor, nut lock washer and hex nut of zinc-plated steel. Cylinder housing of case-hardened chrome-plated steel. First, middle and last disc of case-hardened nickel-plated steel.

### CAMS

Cams for cam locks to US specification are available in the USA through our US sales office.

## DIMENSIONS



Brass cylinder:  
two vertical  
marks on  
cylinder face

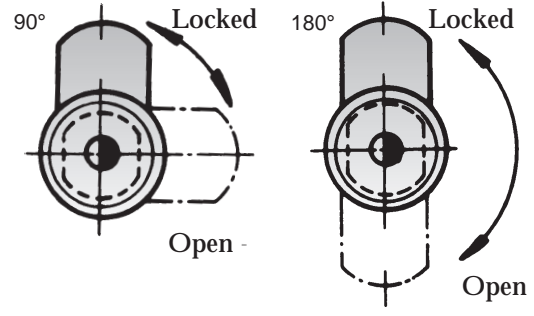


Steel cylinder:  
two horizontal  
marks on  
cylinder face



## CAM TURNS

3343, 3373, 3375, 3377, CL201



# ABLOY® KEY-OPERATED SWITCH LOCKS

EP400, EP401, EP402

## APPLICATIONS

Key-operated ABLOY® switch locks are designed for burglar alarms, key-actuated electrical operations and other high security applications.

The locks are available in three models:

EP400 key removable in 'on' and 'off' position

EP401 key removable in 'off' position

EP402 momentary contact, key removable in 'off' position

Locks can be fitted on panels from 0.5 mm to 22 mm in thickness.

Locks include a Honeywell micro-switch 1 SX1-H58 for contacting with AMP 0.058 in (1.47 mm) receptacles.

## Electrical values

7A, 250 VAC

7A res., 28 VDC

4A ind., 28 VDC

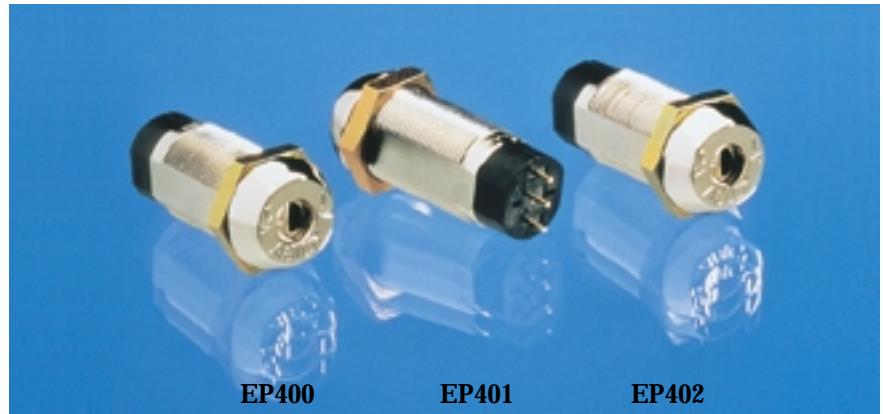
Working temperature

-54° C...+120°C.

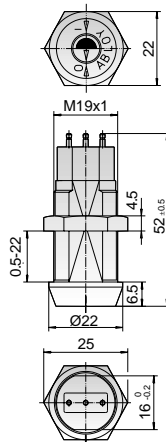
Cylinder types, see page 11.

## MATERIAL AND FINISH

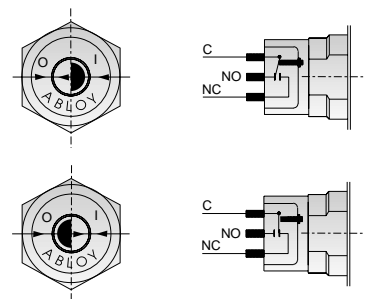
Cylinder housing of case-hardened chrome-plated steel. First and last disc of case-hardened nickel-plated steel. Hex nut of zinc-plated steel. Coupling piece and switch mounting plug of molded plastic. Other parts of brass.



## DIMENSIONS



## CIRCUIT DIAGRAM



C = common  
NO = normally open  
NC = normally closed

# T-HANDLE LOCKS

CL290, CL291

CL290 – spring loaded latch

CL291 – deadlocking latch

## APPLICATIONS

Designed for vending machines and other locking handle applications. Steel latch provides maximum resistance against pulling attack.

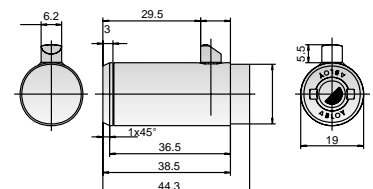
Cylinder types, see page 11.

## MATERIAL AND FINISH

Cylinder housing of chrome-plated steel. The face of the cylinder is case-hardened chrome-plated steel. Latch of nickel-plated steel.



CL290, CL291





## CAMS FOR ABLOY® STANDARD CAM LOCKS



For ABLOY® cam locks 3281, 3273, 3274, 3275, 3276, 3277, 3278 and 3243 there are three cam models available; straight cam, hooked cam and offset cam. The material of cams is zinc-plated steel. Cams for cam locks to US specification are available in the USA through our US sales office.

STRAIGHT CAM	PART NO.	A	B	OFFSET CAM	PART NO.	A	B	C
	455608	26	18		455678	32	24	13.3
	434815	30.5	22.5		434959	33	25	26.5
	434869	33	25		455333	35	27	5
	455322	35	27		434928	35	27	6.5
	434609	38	30		455499	35	27	9.5
	434794	40	32		455525	35	27	10.5
	455556	45	37		434816	36	28	12
	455548	48	40		434799	36	28	22
	455494	53	45		455557	37	29	18.5
	455797	58	50		434766	38	30	15
455606	68	60	434667	38	30	7		
435097	40	32	5	434702	40	32	19	
HOOKED CAM	PART NO.	A	B	C	434635	45	37	5
	455514	31	23	16.5	434700	45	37	8
	434605	32	24	17.5	434852	45	37	13.3
	455332	35	27	20.5	434757	48	40	19
	455492	42.5	34.5	28	434788	50	42	12.5
	434818	47.5	39.5	33	455461	61	53	18
	455780	58	50	43.5				
	455549	60.5	52.5	46				

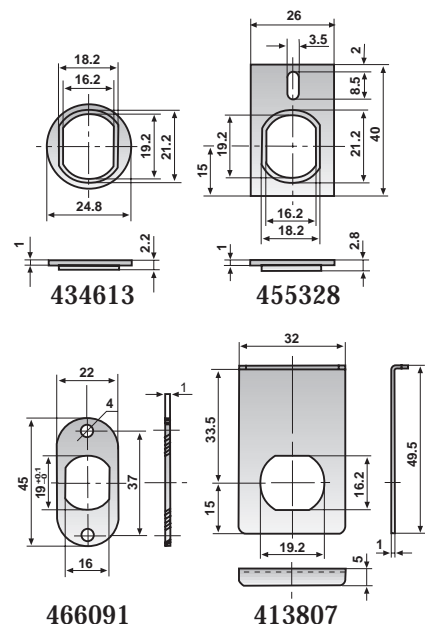
## FITTING PLATES



Fitting plates are to be ordered separately. The material of the plates is zinc-plated steel. Fitting plate 455328 is used inside of a wooden door to prevent the lock from rotating. The plate is fixed by screws through the upper holes of the plate. The fitting plate 434613 is mostly used as replacement for cam locks of Scandinavian specifications. The plate is normally used on both sides. 466091 is mostly for AVA locks.

Fitting plate 413807 is designed for glass doors. Available also with brass finish, 413808.

### DIMENSIONS

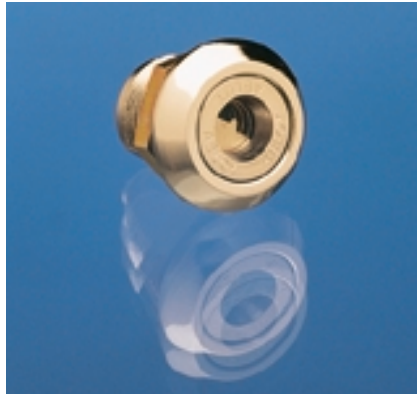


## CUSTOM-MADE APPLICATIONS

As the manufacturer of ABLOY® locks we have a long and profound experience in designing rotating detainer disc cylinder locks.

ABLOY® cam lock range includes close to 20 standard lock models, which cover with their variations practically all applications. Should we not have a lock to answer your needs, our skilled designers can design a lock construction to meet your specific requirements. The designing is carried out in close co-operation with the customer.

Beside some examples of our custom-made solutions.



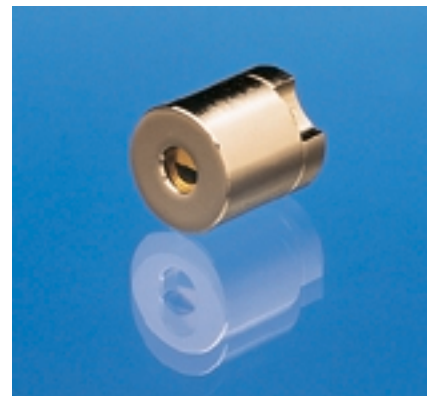
Custom-made pay phone lock.



Custom-made lock for personal computers.



Custom-made pay phone lock.



Custom-made parking meter lock.

## QUALITY CONTROL AND TESTING

All ABLOY® products go through a very careful quality control before shipment to the customer. The locks are also regularly tested according to our internal test standards to make sure the manufacturing processes

keep strictly to the correct tolerances.

The Quality System of Abloy Oy factories meets the requirements of the international Quality System

standard SFS-EN ISO 9001, SFS-EN ISO 14001 and EN 29001 corresponding to eg. British standard BS 5750: Part 1 and USA standard ANSI/ASQC Q91.

## DELIVERIES

### CYLINDER TYPES:

#### Standard cylinder types:

C = ABLOY® CLASSIC

1.4 mm disc,  
eg. 3277C

P = ABLOY® PROFILE

1.4 mm disc (471),  
eg. 3277P

#### Cylinder types

#### available on special request:

S = ABLOY® CLASSIC

1.0 mm disc,  
eg. 3277S

F = ABLOY® PROFILE

1.0 mm disc (481),  
eg. 3277F

Left handed operation  
in some models

### PACKAGE:

Lock with hardware, two keys and a key tag packed in a plastic bag. Hardware packed in bulk on request. EP400, EP401 and EP402 with microswitch.

Locks are sold in retail packs, which include a specific amount of locks detailed below. We appreciate you ordering full retail packages and their multiples.

### WHEN ORDERING PLEASE SPECIFY:

- lock type
- cylinder type
- quantity
- cam type, if required (see page 9)
- cam turn (90°, 180°)
- fitting plate, if required (see page 9)
- finish of the cylinder housing, if not standard (Chrome)
  - M = Brass
  - H = Satin Chrome
- key profile

Lock type	Retail package (pcs)	Weight (kgs)
EP400	50	4.15
EP401	50	4.20
EP402	50	4.25
3281	50	3.10
3243	50	3.38
3273	50	3.52
3274	50	3.48
3275	50	3.72
3276	50	3.78
3277	50	4.46
3278	50	4.34
3343	50	3.38
CL201	50	3.38
3373	50	3.40
3375	50	3.70
3377	50	4.26
CL290	50	4.65
CL291	50	4.65



Abloy Oy is the leading Scandinavian manufacturer of locks, locking systems and building hardware, and is the world's leading developer of products in the field of electromechanical lock technology. Abloy Oy is part of ASSA ABLOY, the world's largest lock group.

The unique ABLOY® detainer disc cylinder mechanism has several advantages over conventional locking mechanisms. It has been a symbol of high security and superior performance ever since its invention in 1907.

Our range consists of electromechanical locks, cam locks, padlocks, office furniture locks, rim locks, lock cases, cylinders for different types of mortice locks and includes door closers, door automatics and architectural hardware. A worldwide network of distributors offers ABLOY® locking solutions for every application.

Customer-oriented development, combined with our long experience and extensive security expertise, means that ABLOY® security solutions employ the very latest technology to meet your needs.



Abloy Oy  
Wahlforsinkatu 20  
P.O. Box 108  
FIN-80101 JOENSUU  
FINLAND  
Tel. +358 13 2501  
Fax +358 13 250 2209



ABLOY® is a registered trademark of Abloy Oy.

[www.abloy.com](http://www.abloy.com)

Abloy Oy is an ASSA ABLOY Group company.

The ASSA ABLOY Group is the world's leading manufacturer and supplier of locks and associated products, dedicated to satisfying end user needs for security, safety and convenience.

8801030 01/2000