









# Chime Tone Intercom

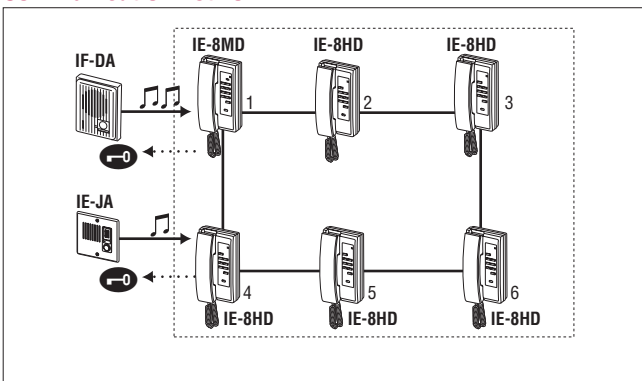
## DOOR 2 ROOM 6 IE-8MD

Door station	Master station	Sub station	Lineup
 <p><b>IE-JA</b> Door station → P.31</p>	 <p><b>IE-8MD</b> 6-call master</p>	 <p><b>IE-8HD</b> 6-call sub master</p>	 <p><b>EL-12S</b> Electric door strike → P.103</p>  <p><b>AC-10S</b> Access control keypad, surface mount → P.101</p>  <p><b>TAR-3</b> External signaling relay → P.32</p>  <p><b>AC-10F</b> Access control keypad, flush mount → P.101</p>  <p><b>RY-AC/A</b> External signaling relay → P.103</p>
<p><b>Power supply</b>  <b>PS-1225S PS-1225UL PS-1225</b> → P.105  <b>PS-1820S PS-1820UL PS-1820</b> → P.106</p>			

### Features

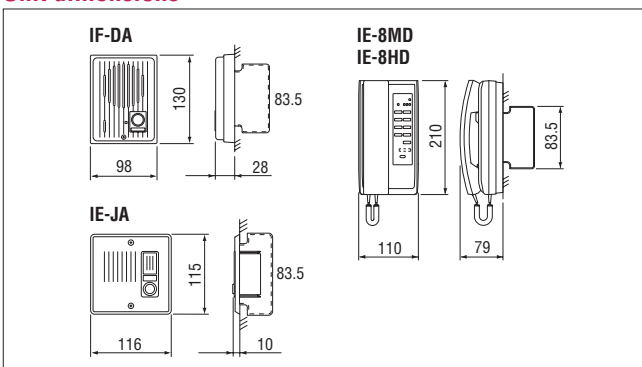
- Expandable to 6-station system
- Selective or All Call between inside stations
- Door select and monitor button (on IE-8MD only)
- AC or DC power source
- Selective door release control
- Chime tone cutout on inside stations, selectable

### Communication network

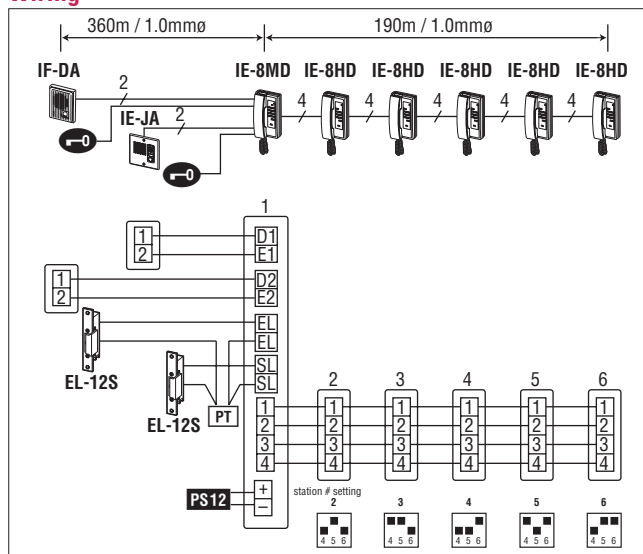


Internal communication by Selective Call or All Call. Chime tone can be muted at each station selectively.

### Unit dimensions



### Wiring



PT : AC transformer PS12 : PS-1225/S/UL PS18 : PS-1820/S/UL or AC transformer

### Specifications (IE-8MD)

Power source	12~16V AC, 900mA 12~18V DC, 500mA
Power supply	<b>Intercom only;</b> 12V or 18V DC power supply. AC transformer 12V AC, 10VA or 16V AC, 14VA w/no load voltage 20V or less. <b>Intercom + EL-12S;</b> 12V AC, 10VA only
Communication	Door calls in w/4- or 2-tone chime and LED, 45 sec. Pick up any handset to reply. Press 1 ~ 6 to call other station with pretone and voice or All Call. Single channel, common talk system.
Door release	Contact rating: 24V AC/DC, 350mA
Wiring	2 parallel wires, to door. 4 wires in loop, between rooms.
Wiring distance	IE-8MD to door 150m(0.65mmø) 360m(1.0mmø) Rooms 75m(0.65mmø) 190m(1.0mmø)