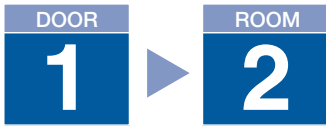


# Wide and Zoom & PanTilt Hands-free Color Video Intercom



## JK-1MD/JK-1MED

### Features

- One door & two monitors (3-1/2 inch); room to room communication is available
- Streamlined & Thin design, only 27 mm thickness
- Vandal resistant video door stations are available
- Optional audio sub master station (JK-1SD)
- Total hands-free communication, auto-voice actuation

### Door station



**JK-DV**  
Wide and Zoom & PanTilt Vandal-resistant video door station, surface mount  
or



**JK-DVF**  
Wide and Zoom & PanTilt Vandal-resistant video door station flush mount



**JK-DA**  
Wide and Zoom & PanTilt video door station, surface mount

**Power supply PS-1820S PS-1820UL PS-1820** → P.106

### Master station



**Standard**  
Non-Picture memory

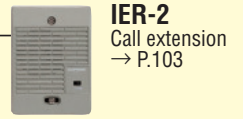
**JK-1MD**  
Master station w/Wide and Zoom & PanTilt color monitor

or



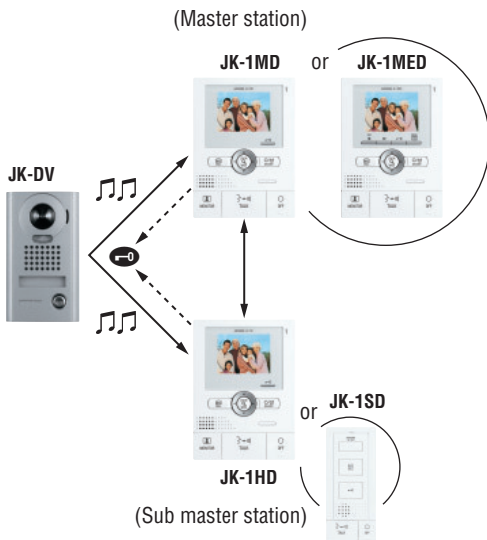
**Picture memory**

**JK-1MED**  
Master station w/Wide and Zoom & PanTilt color monitor & built-in picture memory.



**IER-2**  
Call extension  
→ P.103

### Communication network



### PANORAMIC Wide View

Everyone at the entrance can be identified by image from JK wide angle camera. The field of vision can be controlled on WIDE mode or ZOOM mode from inside.



WIDE IMAGE



ZOOM IMAGE

### Zoom & PanTilt

By pressing PanTilt button, the image of the PanTilt video door station can be adjusted to a more visible position from inside on the zoom mode.



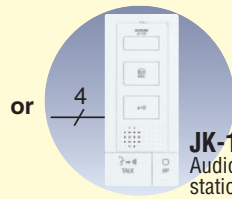
\*The screen images are simulated graphics. They are images to express functions, and are different from the real one. Please understand it beforehand.

The design and specifications are subject to change without notice for improvement.

- Talk LED lights in red while speaking
- Visual monitoring with audio for 1 minute
- Built-in picture memory; Record visitor both automatically & manually (JK-1MED only)
- Instant voice call-in with image
- Press-to-talk operation available
- Press-to-talk restriction
- White LED illumination turns on in low-light conditions

- Backlight compensation by "ADJUST" button
- Full color video in low light situations w/o external illumination
- PanTilt and Zoom & Wide camera control
- Camera angle preset
- External input
- Option - Option button, press-to-talk setting, video signal output

## Sub master station



**JK-1HD**  
Sub master station  
w/color monitor

**JK-1SD**  
Audio sub master  
station

## Boxed sets



### Standard

**JKS-1AD:** JK-1MD, JK-DA  
**JKS-1ADV:** JK-1MD, JK-DV  
**JKS-1ADF:** JK-1MD, JK-DVF

### Picture memory

**JKS-1AED:** JK-1MED, JK-DA  
**JKS-1AEDV:** JK-1MED, JK-DV  
**JKS-1AEDF:** JK-1MED, JK-DVF

Add appropriate power supply

## Access Control → P.101



**AC-10S**  
Access control  
keypad,  
surface mount



**AC-10F**  
Access control  
keypad,  
flush mount



**JK-DV + AC-10S**

## Lineup



**JKW-BA**  
Long distance adaptor  
→ P.4  
\*Max. 300m away from  
Master/sub to Door.



**EL-12S**  
Electric door strike  
→ P.103



**JKW-IP**  
IP color video  
intercom adaptor  
→ P.5

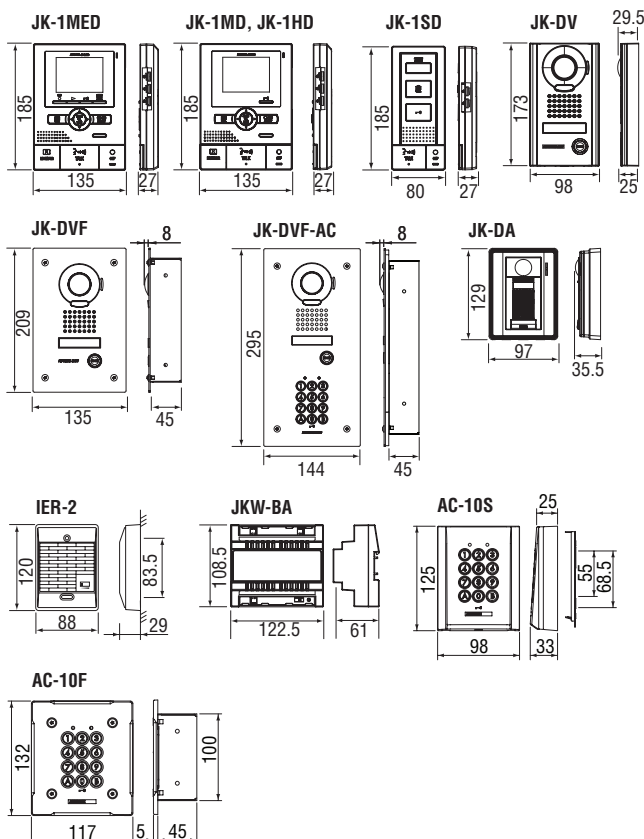


**JK-DVF-AC**  
Vandal-resistant color  
video door station with  
access control keypad



**AE7090210B**  
**AE7090210G**  
AlPHONE approved  
product wire  
→ P.106

## Unit dimensions

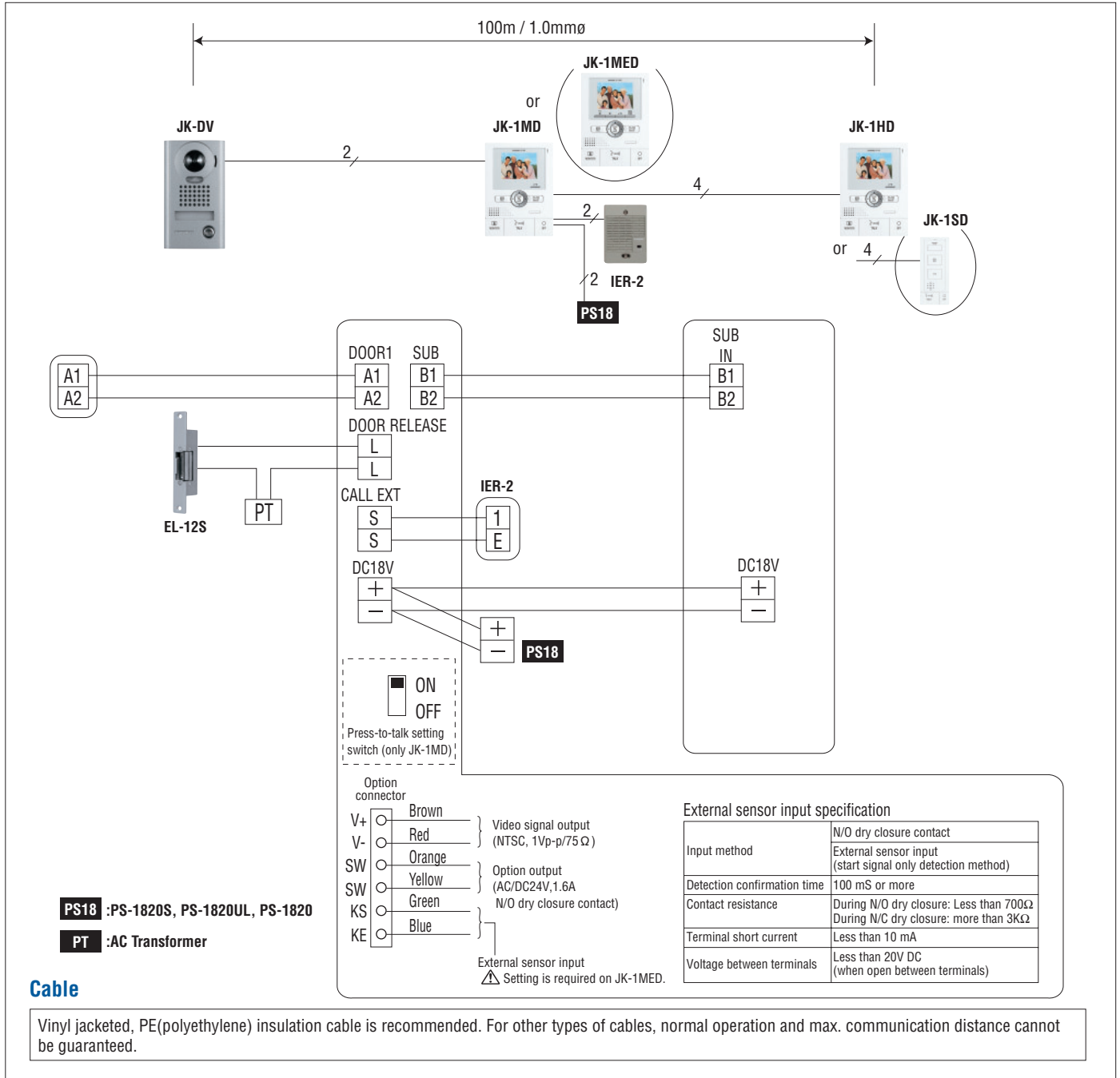


## Specifications

Power source	18V DC
Power supply	PS-1820S, PS-1820UL, PS-1820
Consumption	Max. 400mA (JK-1MED, JK-1MD). Max. 200mA (JK-1HD). Max. 120mA (JK-1SD)
Calling	Chime. Image & audio, approx. 45 sec.
Communication	Approx. 1 min. AUTOMATIC (Hands-free); To activate, momentarily press TALK button. MANUAL (Press-to-talk/Release-to-listen); To activate, press TALK button for 1 sec. or more.
Video monitor	3.5 inch direct-view TFT color LCD.
Scanning line	525 lines
Video output	NTSC, 1Vp-p/75Ω
Night viewing	Up to 50cm from camera, with white LED projected, background beyond 50cm cannot be seen.
Door release	24V AC/DC, 500mA (N/O dry closure contact)
Option output	24V AC/DC, 1.6A (N/O dry closure contact)
Wiring	Door to master: 2-cond., mid cap, solid, non-shielded. Master to sub: 4-cond., mid cap, solid, non-shielded.
Wire type	AlPHONE approved product wire: AE7090210B, AE7090210G
Wiring distance	Master/sub to door: 50m (0.65mmø) 100m (1.0mmø) Master to IER-2: 75m (0.65mmø) 150m (1.0mmø)

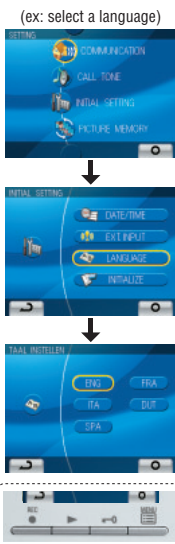
# Wide and Zoom & PanTilt Hands-free Color Video Intercom

## Wiring



## Setting up (JK-1MED only)

On JK-1MED, clear screen displays & Indications realize your easy setting up!



Setting name		Available setting
Time		2008 01/01/ 00:00
Language		English, French, Italian, Dutch, Spanish
Door station chime tone		♪ 1 (Tone 1) ♪ 2 (Tone 2) ♪ 3 (Tone 3) ♪ 4 (Tone 4)
Communication time		1 min. 2 min. 3 min. 5 min.
Automatic night volume adjustment		Enable Disable
External input	Detection	N/O N/C Disable
	Notification at door	OFF OFF ON
	Sound time	30 sec. Continuous Continuous
Press-to-talk setting		Enable Disable
Recording	Picture	• All saved pictures are erased.
	Screen	• Zoom x 3, Wide x 3 • Wide x 3, Zoom x 3 • Zoom x 6 • Wide x 6

※ [Grey box] are initial views

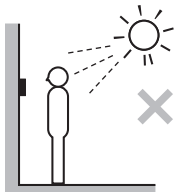
⚠ Setting operations are made by pressing buttons under the screen.

## Mounting locations

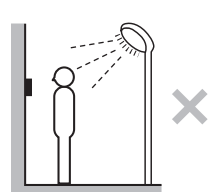
### • Video door station

Do not install a video door station in any of the following locations where lighting or the ambient environment could impact the display on the video master station due to the characteristics of the door station's camera.

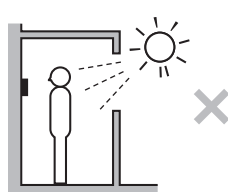
Locations subject to direct sunlight



Under street lights or door lights

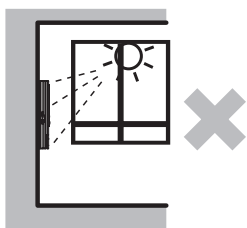


Other locations subject to strong lighting conditions

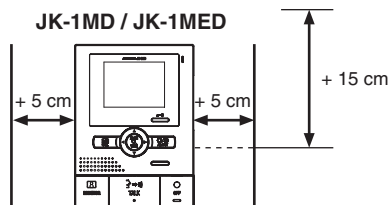


### • Monitor station

1. Install the master monitor station and sub monitor station in places where the screens are not exposed to direct sunlight.



2. The master monitor station and sub monitor station have switches on both sides. Allow at least 5 cm of open space on either side.

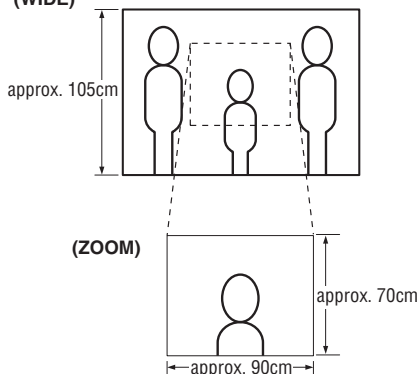


3. Allow 15 cm or more of vertical open space from the center of the mounting bracket in order to mount the master monitor station and sub monitor station.

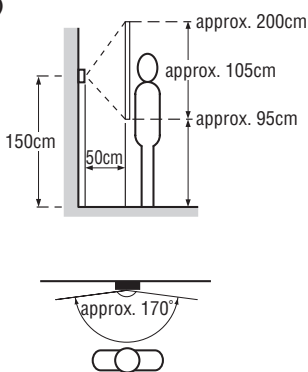
## Image view area

JK-DA, JK-DV, JK-DVF

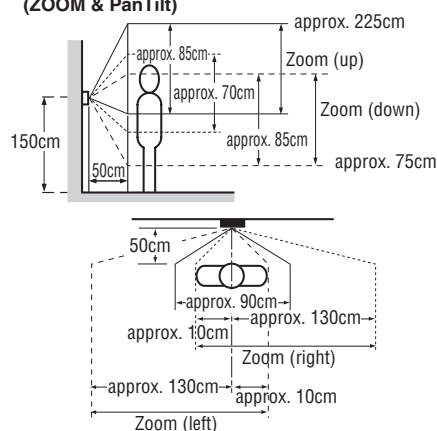
(WIDE)



(WIDE)



(ZOOM & PanTilt)



## Long distance adaptor for JK series

### Features

- When JK series color video door station is more than 100m to max. 300m away.

### Used for

JK-1MD, JK-1MED

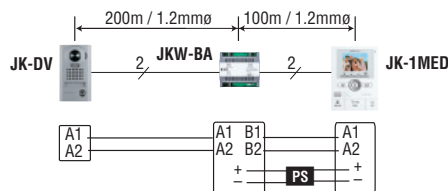
### Unit dimensions

JKW-BA



JKW-BA

Long distance adaptor



### Specifications

Power source	18VDC, PS-1820S, PS-1820UL, PS-1820 of system or separate
Current consumption	95mA
Wiring	2 parallel wires to ea. door & master.
Wire type	AIPHONE approved product wire: AE7120230B or 1.0mmø to 1.2mmø. Vinyl jacketed, PE (polyethylene) insulation cable.
Wiring distance	JK door~JKW-BA 100m~200m(1.2mmø) JKW-BA~JK master/JK-1HD/JK-1SD 100m(1.2mmø) JKW-BA~PS 100m(1.2mmø)