

Open Voice Intercom

STATION

11 LEF

COMMERCIAL & INSTITUTIONAL APPLICATION SYSTEM

Master station



LEF-3
3-call master

LEF-3L
3-call master w/
door release button

Master station



LEF-5
5-call master

LEF-5W
5-call master
w/terminal box



LEF-10
10-call master

LEF-10W
10-call master
w/terminal box



LEF-10S
10-call master (all call)

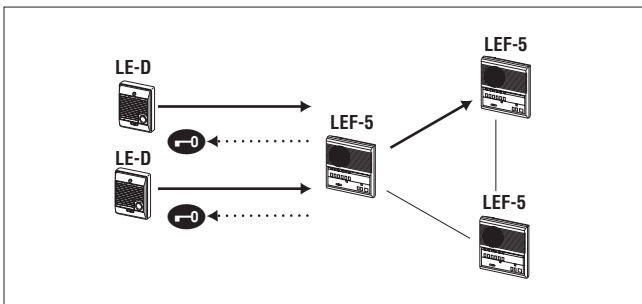
Power supply

PS-1225S PS-1225UL PS-1225 → P.105

Features

- Intermixable system with any number of masters and subs to max. capacity
- Selective calling from any master with hands-free reply
- LEF surface and LEF-C semi-flush units can be intermixed
- Variety of sub stations are available
- Weather-resistant door stations (any number) with selective door release
- System options: PanTilt door/monitor(s), All Call/Music/Chime
- Selective door release with LEF-5/10/10S (w/RV-PA)

Communication network



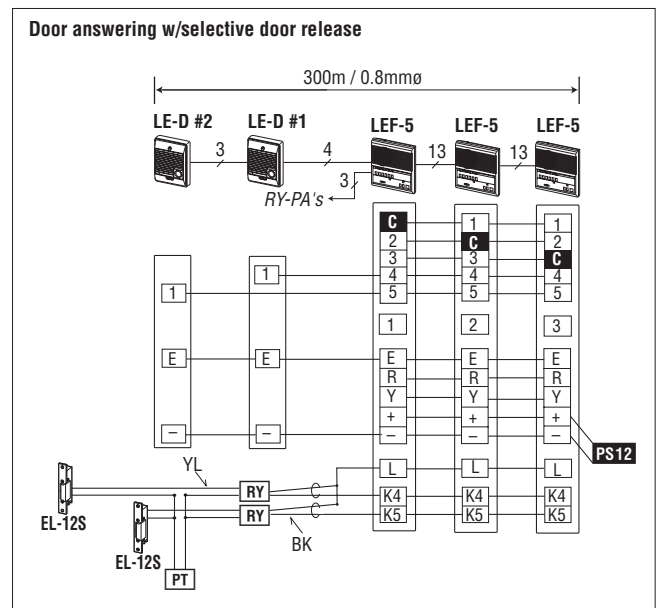
Selective call between inside stations. Answering & releasing door from any inside station

Cabling

Models	Capacity	Cable
LEF-3	4 stations	9 wires
LEF-5	6 stations	11 wires (+5: K1~K5*)
LEF-10	11 stations	17 wires (+10: K1~K10*)
LEF-10S	11 stations	20 wires (+10: K1~K10*)

- K1 ~K10: Control terminals for video, door release.
- LEF-3 does not have L terminal.
- Door & inside sub stations can ring 2 or 3 LEF masters.
- LEF All-master trunk cable=5 (or 6) common + no.of LEF (& subs)

Wiring



PS : PS-1225S, PS-1225UL, PS-1225 PT : AC transformer
Terminal 4 : for LE-D #1, Terminal 5 for LE-D #2.

YL : Yellow(2) BK : Black(2).

Door station



LE-D
Sub station
→ P.60



LE-DA
Sub station
→ P.60

Room sub station



LE-A
Sub station
→ P.60



LE-AN
Privacy sub
→ P.60



LE-A3
3-call sub
→ P.60



LE-AN3
3-call privacy sub
→ P.60



LEF-20(S)*, 20-call master (photo)

LEF-30(S)*, 30-call master

LEF-40(S)*, 40-call master

*Not available in Europe, Australia, nor New Zealand

All call, music & chime



BG-10C
All call, chime & music
adaptor
→ P.60

Lineup



EL-12S
Electric door
strike
→ P.103



RY-PA
Door release relay
→ P.103



LEW-5
LEF-5 terminal
box

LEW-10
LEF-10 terminal
box

LEW-10S
LEF-10S terminal
box



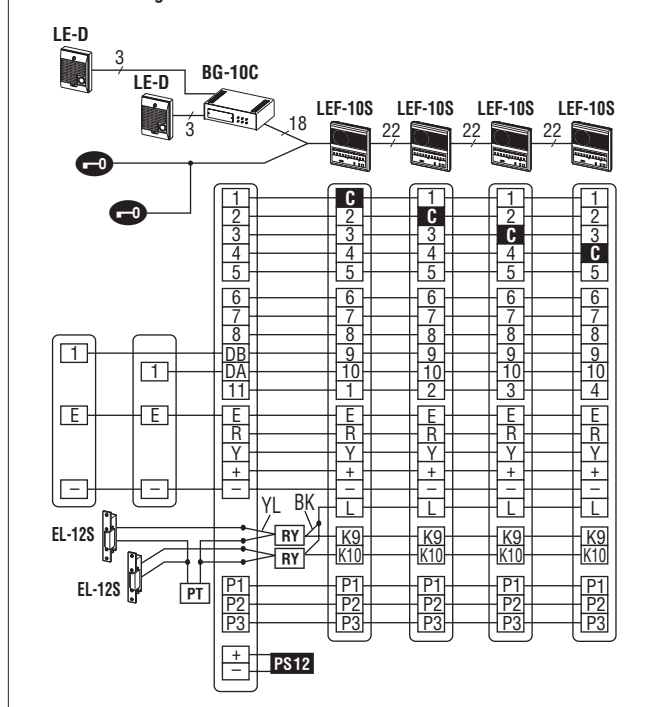
AC-10S
Access control
keypad,
surface mount
→ P.101



AC-10F
Access control
keypad,
flush mount
→ P.101

Wiring

Intermixed configuration



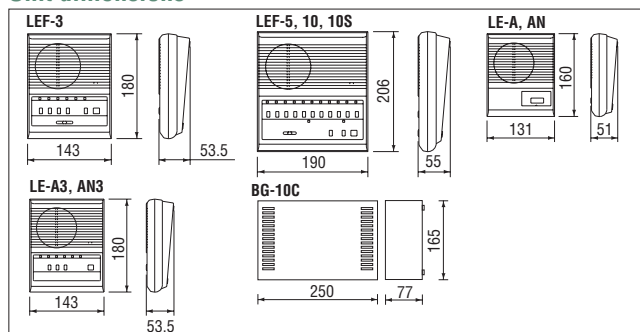
3 wires per sub. Run 3 wires to subs individually, or use multi-conductor cable to wire multiple subs (2 common + 1 per sub).

- LE-D call-in chimes on LEF stations.
- Only LEF-10S station can transmit all call.
- Match door release control terminals (Kn) with door selector #10 with K10, #9 with K9.

★ Remove a shorting link on LE subs.

PS12 : PS-1225S, PS-1225UL, PS-1225 **PT** : AC transformer **RY** : RY-PA

Unit dimensions



Specifications (LEF)

Power source	12V DC, 300mA per LEF station.
Power supply	PS-1225S, PS-1225UL, PS-1225
Communication	Sub calls in w/(chime) tone & LED, 20 sec. Depress the LED lit selector button. Use TALK/LISTEN switch. Master calls in w/tone or voice (no LED lit). Reply hands-free. To call, depress a selector, and call by voice or tone.
Door release	Contact: 30V DC, 0.1A (resistance load).
Selector switch	Contact: 12V DC, 30mA.
Wiring	5 wires common + no. LEF (& subs) (all-master system) 2 wires per sub (single-master system). * E to - link remains attached. LE subs: 3 wires with the link removed (when intermixed)
Wiring distance	Farthest LEF's 200m(0.65mmø) 300m(0.8mmø)

Specifications (BG-10C)

Power source	12V DC, 2.5A (music max. output). 1.5A(music, chime & all call). 0.1A standby
All call transmit	From LEF-3C, 5C, 10C & LEF-1C and LEF-10S
All call receive	All LEF master station, and LE-C, CN
Chime tone transmit	AUX R, E and AUX L, E
Controls	Music on/off. 11 selector switches of music & chime, chime only or off.
Wiring	19 wires max. BG-10C to LEF-10C. 3 wires to each LE-D, DA.
Wiring distance	BG-10C to LEF-C 150m(0.65mmø). 230m(0.8mmø) LE-D/DA to BG-10C 200m(0.65mmø). 300m(0.8mmø).