

Master / Sub Intercom

MASTER

SUB

2



100

TC-M

COMMERCIAL & INSTITUTIONAL APPLICATION SYSTEM

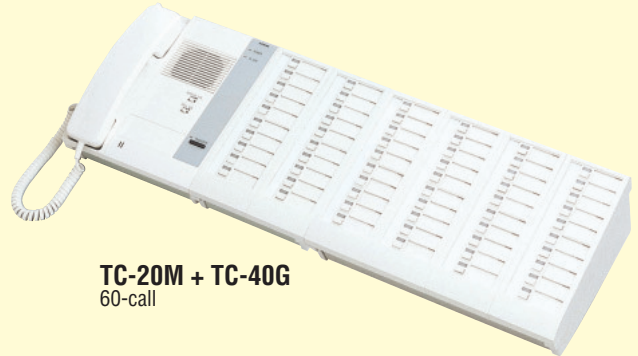
Master station



TC-10M
10-call master



TC-20M
20-call master

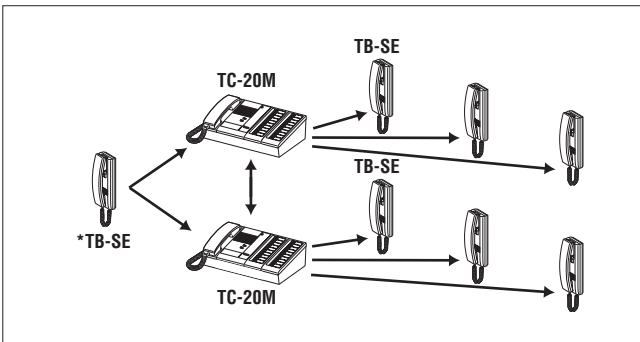


TC-20M + TC-40G
60-call

Features

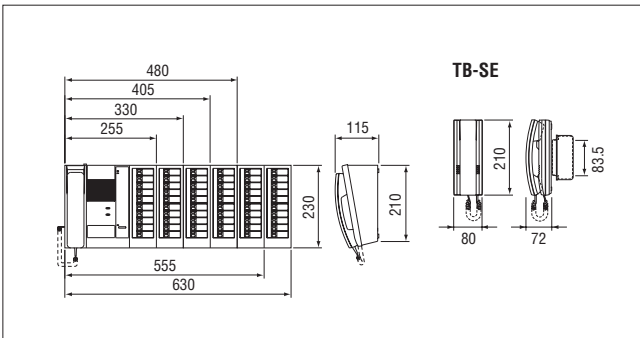
- Expandable internal telephone intercom
- One or dual master configuration
- Tone & LED call-in, staying on until answered
- Additional buzzer at TB-SE (w/relay)
- TRANSFER button on TC-M for communication between two TB-SE subs

Communication network

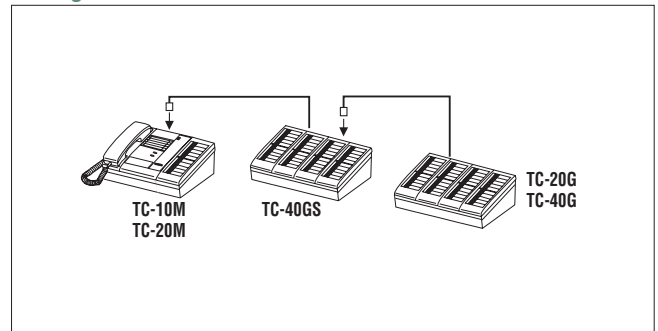


*TB-SE : Sub station for two-master call.

Unit dimensions



Wiring



The TC-40GS is equipped with socket to connect the second add-on selector TC-20G or TC-40G.

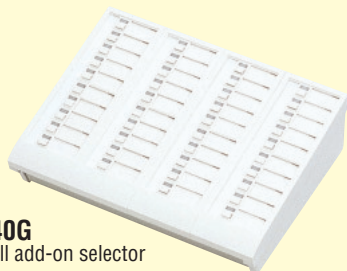
Specifications (TC-M)

Power source	18V DC, 350mA. 15~16V AC, 50/60Hz, 750mA.
Consumption	6W. 3W standby.
Power supply	PS-1820S, PS-1820UL, PS-1820, AC transformer.
Communication	Pick up TB-SE handset. Rings TC-M, w/tremolo & LED, staying. At TC-M, pick up and press a lit selector to reply.
Wiring	2 parallel wires per TB-SE, non-polarized.
Distance	TC-M's 200m(0.65mmø) 480m(1.0mmø) TC-M~TB-SE 400m(0.65mmø) 900m(1.0mmø)

Add-on selector



TC-20G
20-call add-on selector



TC-40G
40-call add-on selector
TC-40GS
W/add'l 20-/40-call expansion

Sub station



TB-SE
Sub station

Power supply

PS-1820S
PS-1820UL
PS-1820
→ P.104

Lineup

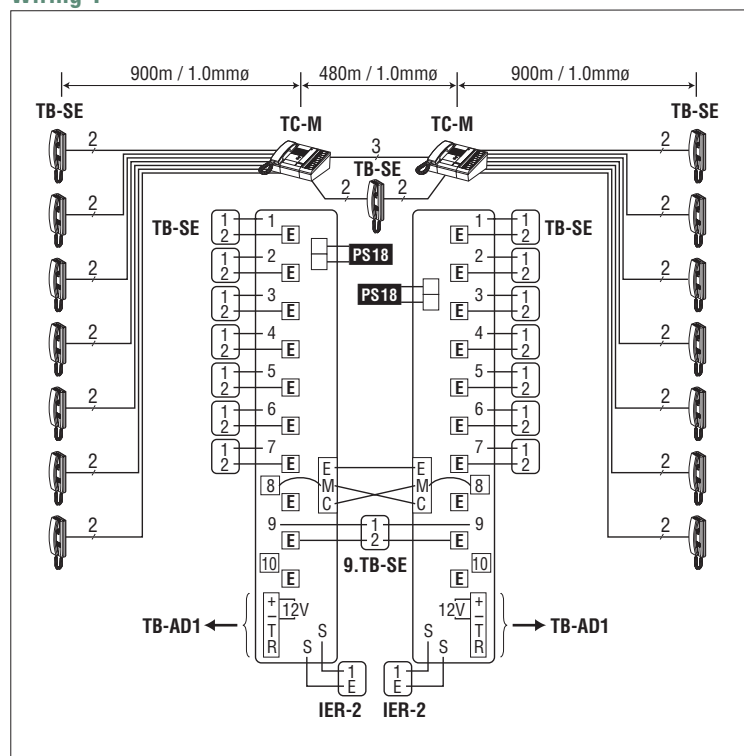


IER-2
Call extension
→ P.101



TAR-3
External signaling relay
→ P.102

Wiring 1



- Run 2 parallel wires per TB-SE. Use any E terminal for max. three TB-SE's.
- Do not parallel TB-SE sub wires, or door station wires (in dual-TC-M system).

Wiring 2

