



XTrac

**Xtra quiet,
Xtra safe,
Xtra reliable!**



GARAGE DOOR OPENERS



SWING GATE OPERATORS



SLIDING GATE OPERATORS



REMOTE CONTROLS



INTERCOMS



SAFETY BEAMS



KEYPADS



Established 1986



XTrac

Does using your garage door sound like a castle lowering its drawbridge?

Unlike the openers of yesteryear, the **XTrac's** super quiet and powerful 24V DC motor is connected directly to the garage door and travels with it as it opens or closes. No more clanking chains results in a smoother and quieter ride.

No power? No problem. The **XTrac** isn't fazed by any power issues – be they low voltages, spikes or even failures.

The **XTrac** can be set up in a matter of minutes, powers both sectional and tip-up doors and comes with a host of vital functions and features.

Quiet, safe and reliable. Everything you'd expect from CENTURION.

Main features



Novel operating principle and revolutionary design

The **XTrac's** motor drives along a stationary chain housed inside the drive rail. The door opens and closes together with the travelling motor – no chain clatter means the whole operation is whisper quiet.



Dual power - ALWAYS on

You need to be somewhere in a hurry. The power goes out. You're going nowhere. Unless you have the **XTrac**, that is. The **XTrac** switches seamlessly between mains and battery power in the event of a power outage, so it's always on. You can even use solar power to charge the system.*

* consult Centurion Systems for assistance



Reliable DC motor

Our 24V geared DC motor provides enough power to move even the largest door quietly and reliably.



Adaptive anti-crushing control

XTrac sensors ensure that your garage door will never close on your child, car or pet – if an obstruction is detected the door will stop and reverse immediately. Our door service monitor keeps an eye on things and a courtesy lamp will flash when your door springs are worn out or require maintenance.



GARAGE DOOR
OPENERS



Adjustable speed gives you ultimate control

One opener to rule them all. The **XTrac** works on both sectional and tip-up doors and the opening and closing speed can be set to your liking. Combine this with soft start and soft stop, the **XTrac** provides the ultimate control and most reliable operation of your door.



Lock in any position

For increased security, the manual override can be disengaged and then re-engaged in any position. If you're going away on holiday you can also electronically lock your **XTrac** so that not even a learned in remote control can operate the door.



Autoclose*

Look, Ma, no hands! If you forget to close your garage door, your **XTrac** will do it for you - if you've activated the Autoclose feature. However, should you decide to keep your garage door open, simply press the Autoclose Override button on the wireless wall switch provided. This will keep the door open until you trigger the door to close again, and then it'll revert back to normal Autoclose.

* Infrared safety beams need to be installed to utilise the Autoclose feature



Onboard receiver with CENTURION rolling code security

A home security system that fits in your pocket. Our four button CENTURION rolling code (Keeloq™ encryption) remote control utilises the same technology found in top of the range vehicle security systems and can control your **XTrac**, home alarm system, CENTURION automatic gate motors and whatever else you need to feel safe. Rest easy, knowing there's a CENTURION standing guard.



Ease of installation and adjustment

Ready. Set. Go! The drive unit slides into the rail and the control box slots into position at the back, it's as simple as that. Within minutes of arriving on site, the unit can be assembled, installed and set up. Such ease saves time, saves money!



Door service monitor

Using adaptive load sensing technology, our door service monitor keeps an eye on things and a courtesy lamp will flash when your door springs are worn out and need maintenance.





GARAGE DOOR
OPENERS



Accessories



1
CENTURION transmitters
Available in one, two, three and four button variants. Incorporates Keeloq™ ultra-secure rolling code encryption



2
SMARTGUARD keypad
Cost-effective and versatile keypad for allowing access for pedestrians, armed response companies, etc.



3
External manual override Key operated release for convenient manual override of door opener from the outside



4
Wireless wall switch
The wireless wall switch provides for convenient, fixed operation of all the functions* of the XTrac without having to run unsightly wires along your walls.

*Door open and close;
Activate light;
Electronically lock the door and;
Override the Autoclose function.



5
XTrac infrared safety beams Provides additional safety against the door being closed onto a person or vehicle. Allows operation of the autoclose facility on the opener

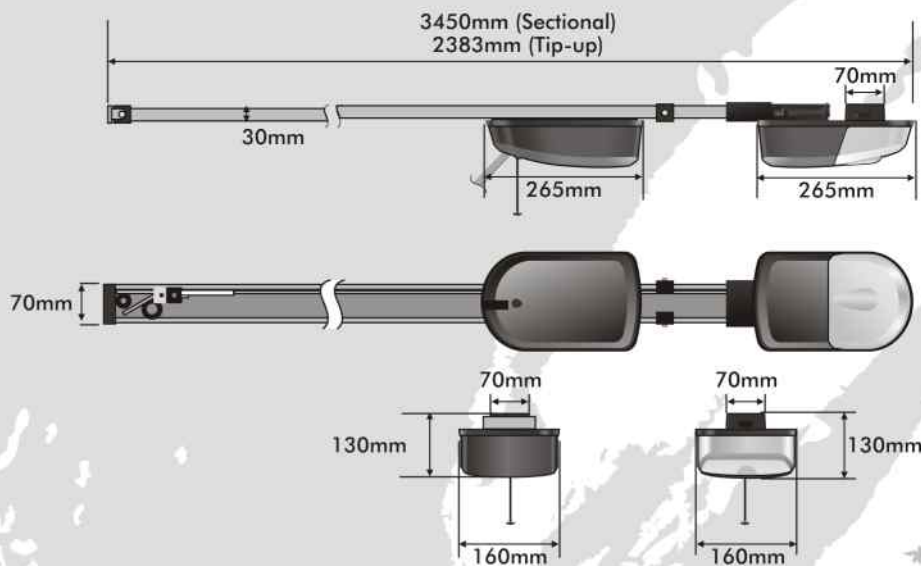
Technical specifications

XTrac garage door opener (for sectional and tip-up)

Input voltage	180 - 270V AC @ 50/60 Hz ★
Motor voltage	24V DC
Motor power - rated	120W DC
Motor supply	Dual power - 250VA mains power supply with 2 x 1.5Ah 24V battery backup supply
Maximum door width	6.5 metres
Maximum door area	12 metres ²
Maximum lifting capacity	1200N
Operations in standby mode	12 to 30, dependant on door size, weight, height and duration of power failure
Opener travel speed	Adjustable - between 90 to 125mm/sec
Door travel adjustment	Manually adjustable limits within one to one adjustment ratio
Safety obstruction force system	Selectable manual/adaptive
Light	Bayonet 20V 21W
Autoclose ◇	Dip switch selectable
Safety beams	Optional
Onboard receiver type	CENTURION rolling code (Keeloq™ encryption) single channel
Receiver code storage capacity	22 transmitter buttons
Receiver frequency	433Mhz

★ Can operate off a solar supply, consult Centurion Systems for assistance
◇ Requires infrared safety beams to be fitted

Overall dimensions



Easy access to setup and replacement of light bulb



Easy operation of manual override. Re-engage with door in any position for greater security

1302.D.02.0001_6